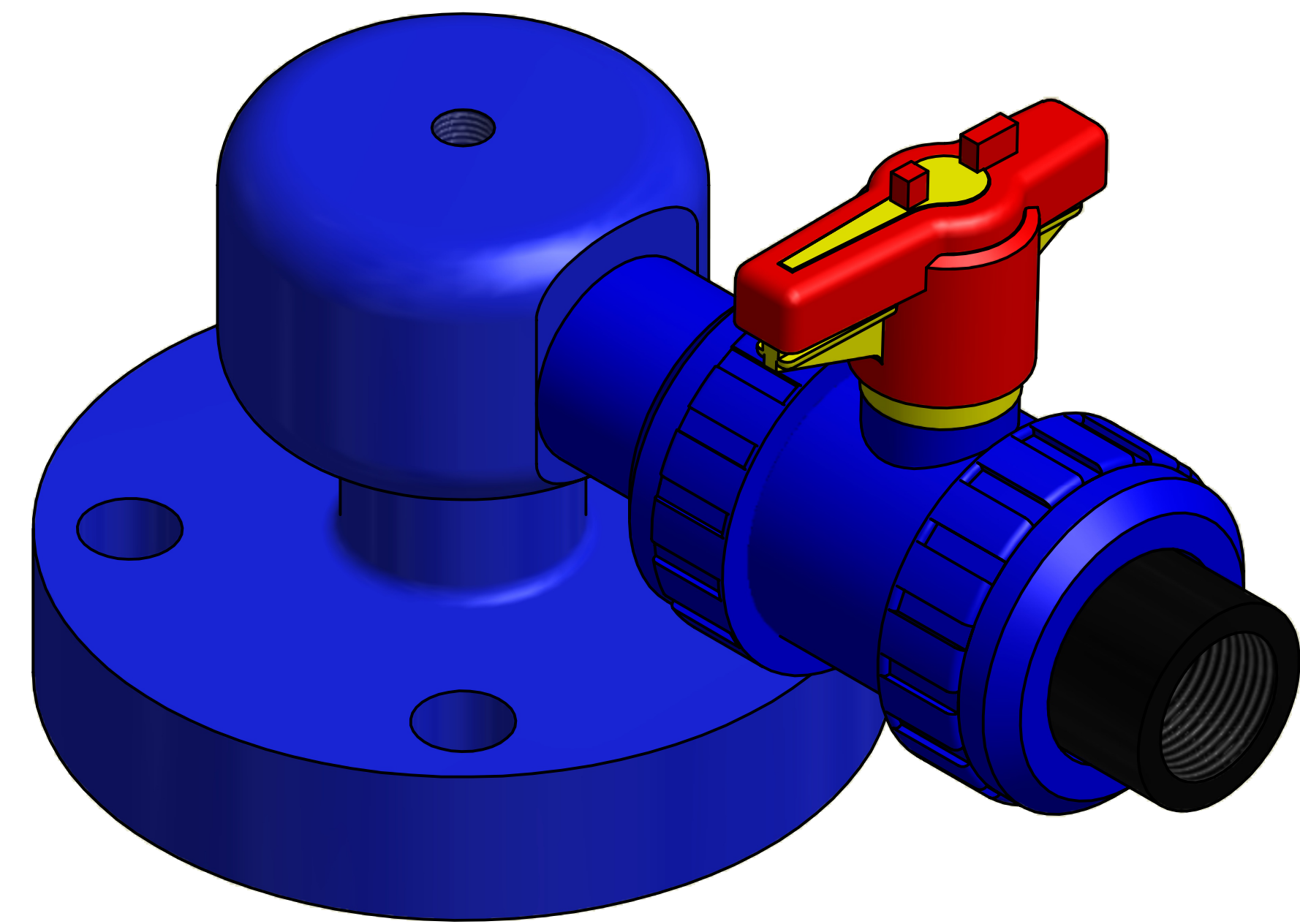
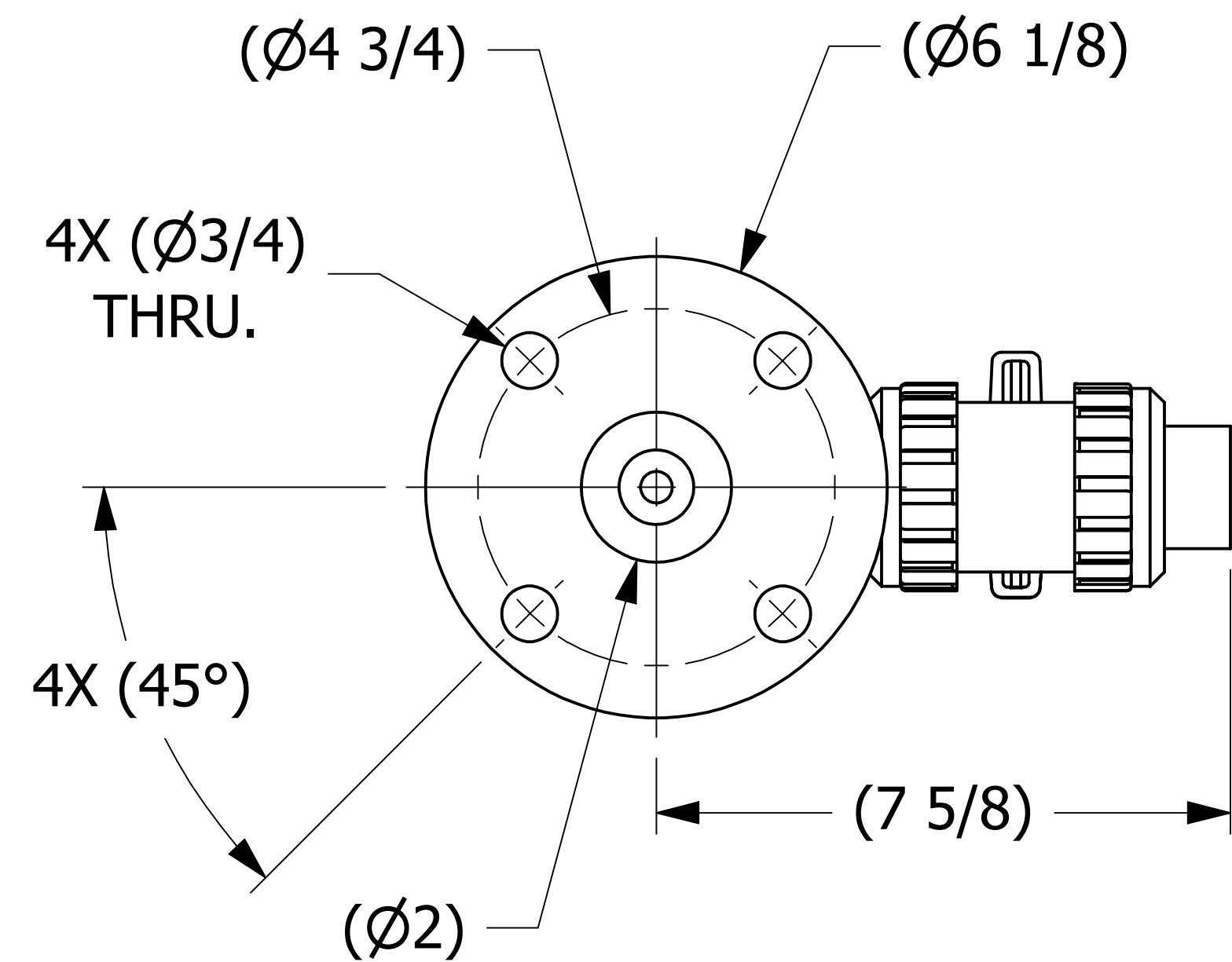
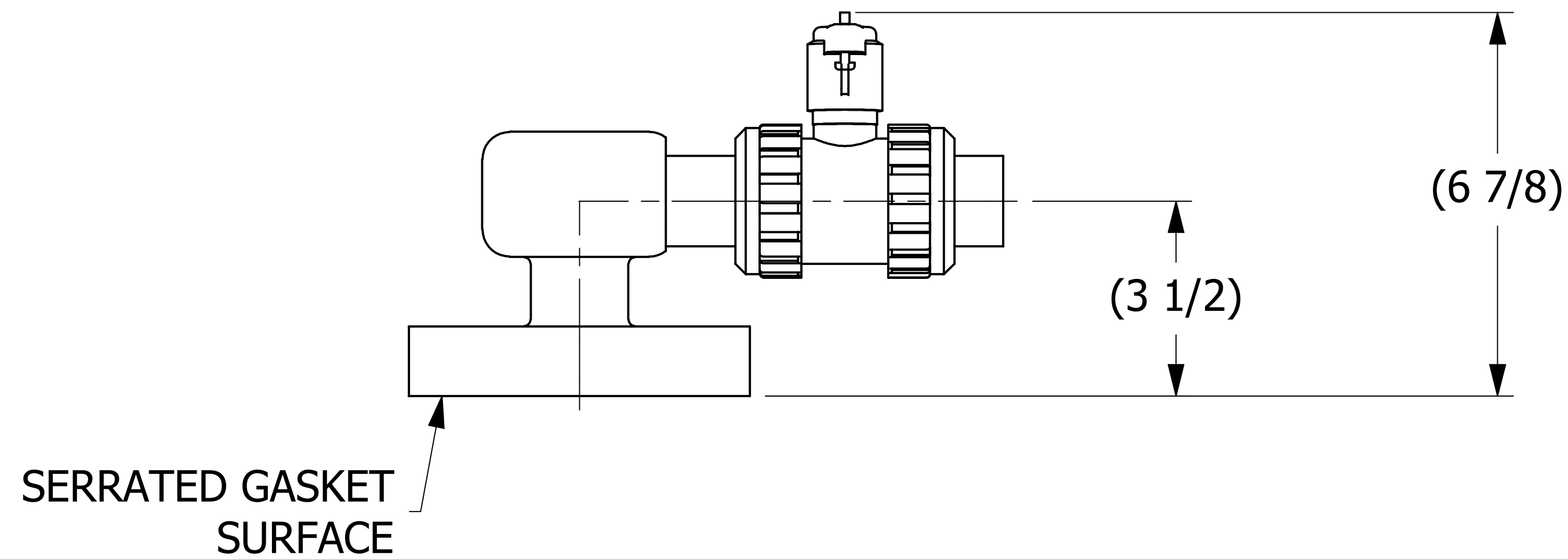
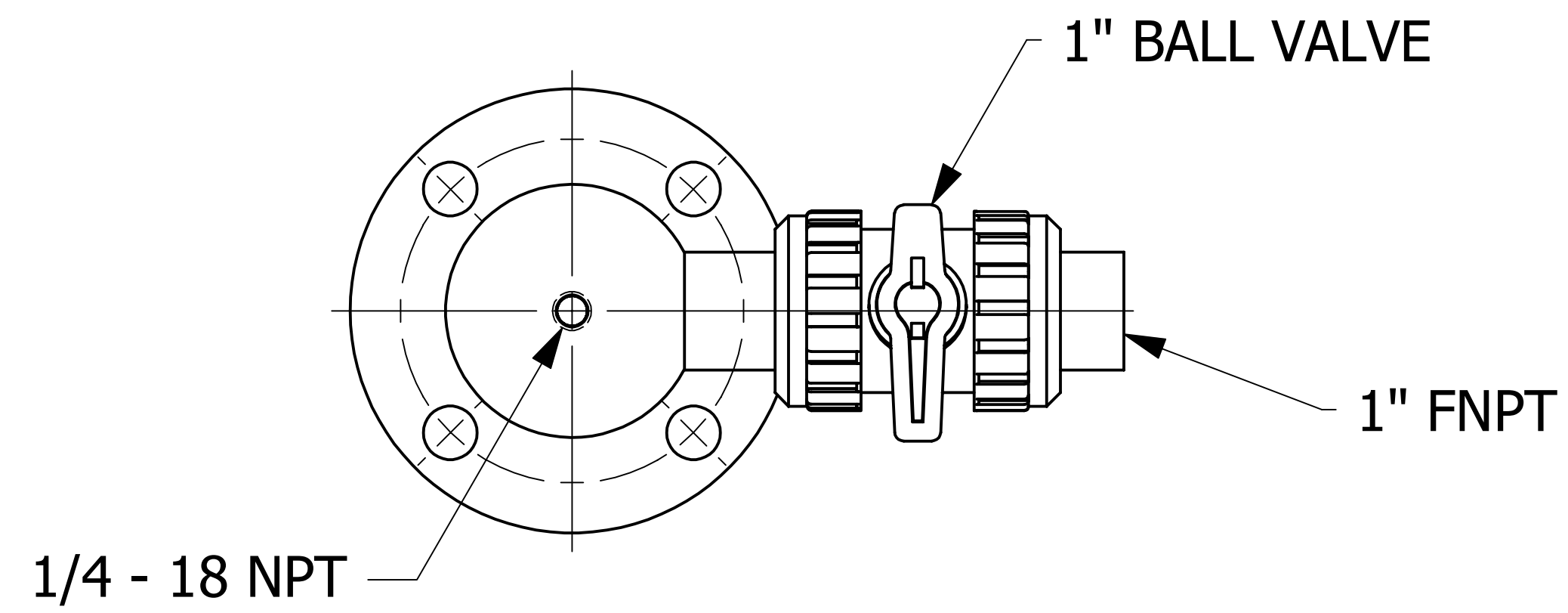


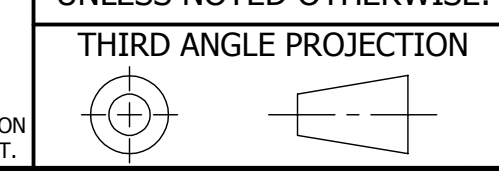
SALES DRAWING SALES DRAWING

SALES DRAWING SALES DRAWING



ISOMETRIC VIEW

UNLESS OTHERWISE SPECIFIED  
DIMENSIONAL TOLERANCES  
FRACTIONAL: ±1/16  
X.XX: ±.03  
X.XXX: ±.015  
ANGULAR: ±1°  
DEBURR ALL SHARP EDGES.  
ALL MACHINED SURFACES TO  
HAVE A 125 RMS FINISH  
UNLESS NOTED OTHERWISE.



DRAWN BY:	GDS
CHECKED BY:	CHL
PROTOTYPE BY:	GDS
PROTOTYPE DATE:	8/28/2013
APPROVED FOR PRODUCTION BY:	GDS
PRODUCTION DATE:	9/11/2013

A	GDS	9-9-13	RELEASED FOR PRODUCTION
REV	BY	DATE	DESCRIPTION
SALCO PRODUCTS, INC.			
PART NAME: AIR VALVE ASSEMBLY 2"X1"X90°			
MATERIAL: SALCO PE/PE			
PROJECT #:	1305221	SHEET #:	1 OF 1
DRAWING #:	D37068	PART #:	HSVAPE37068
			SCALE: 1:1